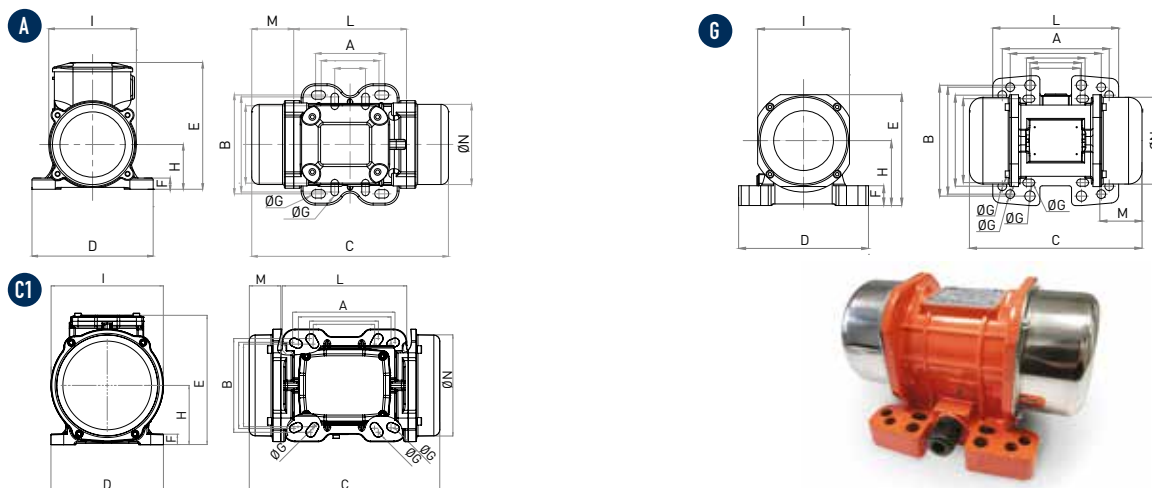




MVE-DC - Direct current electric vibrators



DIMENSIONAL SPECIFICATIONS

MODEL	DRAWING	SIZE	C		M		A		B		ØG		HOLES N°	D		E		F		H		I		L		N			
			mm	in	mm	in	mm	in	mm	in	mm	in		mm	in	mm	in	mm	in	mm	in	mm	in	mm	in	mm	in	mm	in
			50Hz	50Hz	50Hz	50Hz	mm	in	mm	in	mm	in		mm	in	mm	in	mm	in	mm	in	mm	in	mm	in	mm	in	mm	in
MVE 50/3N-10A0-12V	A	10A0	211	8.3	45	1.8	62-74	2.4-2.9	106	4.2	9	0.4	4	130	5.1	136	5.4	12	0.5	48	1.9	94	3.7	121	4.8	85	3.4		
MVE 50/3N-10A0-24V	A	10A0	211	8.3	45	1.8	33	1.3	83-102	3.3-4.0	7	0.3	4	130	5.1	136	5.4	12	0.5	48	1.9	94	3.7	121	4.8	85	3.4		
MVE 120/3N-23A0-12V	G	23A0	218	8.6	53	2.1	62-74	2.4-2.9	106	4.2	9	0.4	4	164	6.5	140	5.5	25	1.0	82	3.2	116	4.6	159	6.3	110	4.3		
MVE 120/3N-23A0-24V	G	23A0	218	8.6	53	2.1	65	2.6	140	5.5	13	0.5	4	164	6.5	140	5.5	25	1.0	82	3.2	116	4.6	159	6.3	110	4.3		
MVE 200/3N-23A0-12V	G	23A0	218	8.6	53	2.1	115	4.5	135	5.3	11	0.4	4	164	6.5	140	5.5	25	1.0	82	3.2	116	4.6	159	6.3	110	4.3		
MVE 200/3N-23A0-24V	G	23A0	218	8.6	53	2.1	135	5.3	115	4.5	11	0.4	4	164	6.5	140	5.5	25	1.0	82	3.2	116	4.6	159	6.3	110	4.3		
MVE 500/3N-40A0-24V	C1	40A0	330	13.0	78	3.1	105	4.1	140	5.5	13	0.5	4	170	6.6	196	7.7	15	0.6	92	3.6	174	6.8	166	6.9	160	6.3		
MVE 1500/3N-50A0-24V	C1	50A0	321	12.8	62	2.5	120	4.7	170	6.7	18	0.7	4	208	8.2	210	8.3	18	0.7	96	3.8	184	7.2	198	7.8	169	6.7		

ELECTRICAL SPECIFICATIONS

MODEL	RPM	WORKING MOMENT		CENTRIFUGAL FORCE		WEIGHT		POWER		MAX CURRENT A	EX II 3D Temp. Class [°C]	CABLE TYPE Class Temp	CABLE GLAND Class Temp
		kgcm	inlb	kg	lb	kg	lb	kW	Hp				
MVE 50/3N-10A0-12V	3000	1.02	0.89	50	110	4.4	9.7	0.08	0.11	3.3	100	2Gx1.5 90°C	M16 80 °C
MVE 50/3N-10A0-24V	3000	1.02	0.89	50	110	4.4	9.7	0.08	0.11	6.6	100	2Gx1.5 90°C	M16 80 °C
MVE 120/3N-23A0-12V	3000	1.10	1.86	117	258	7.2	15.9	0.12	0.15	4.8	100	2Gx1.5 90°C	M20 80 °C
MVE 120/3N-23A0-24V	3000	1.10	1.86	117	258	7.2	15.9	0.12	0.15	9.6	100	2Gx1.5 90°C	M20 80 °C
MVE 200/3N-23A0-12V	3000	4.17	3.62	200	441	7.2	15.9	0.16	0.21	6.7	100	2Gx1.5 90°C	M20 80 °C
MVE 200/3N-23A0-24V	3000	4.17	3.62	200	441	7.2	15.9	0.16	0.21	13.3	100	2Gx1.5 90°C	M20 80 °C
MVE 500/3N-40A0-24V	3000	10.40	9.03	530	1168	15.8	31.7	0.26	0.35	11.0	100	2Gx1.5 90°C	M20 80 °C
MVE 1500/3N-50A0-24V	3000	22.40	19.44	1616	3563	21.6	48.1	0.52	0.70	21.5	100	2Gx1.5 90°C	M20 80 °C

MVE-DC - DIRECT CURRENT ELECTRIC VIBRATORS

APPLICATION Dump truck - concrete pump - automotive hopper - salt spreader - dump trailer

POWDER Granular - Concrete

PROBLEM SOLVING Bridge and rat-holing

FEATURES

DUTY CYCLE Continuous - S1

ENVIRONMENT TEMPERATURE From -20 °C to 40 °C (from -4 °F to 104 °F)

MAX NOISE LEVEL 76 dB(a)

ATEX II 3D Ex tc III C Tx IP 66

MATERIAL Body aluminium - stainless steel /aluminium (powder painted) cover

OPTIONS

CUSTOMISED CABLE Available



This information is furnished without warranty, representation, inducement or license of any kind. It is accurate to the best OLI knowledge or is obtained from sources believed to be accurate. OLI therefore assumes no legal responsibility. The latest and most updated information are available online.



Dump truck



Concrete pump



Horizontal mobile silo



Concrete pump